

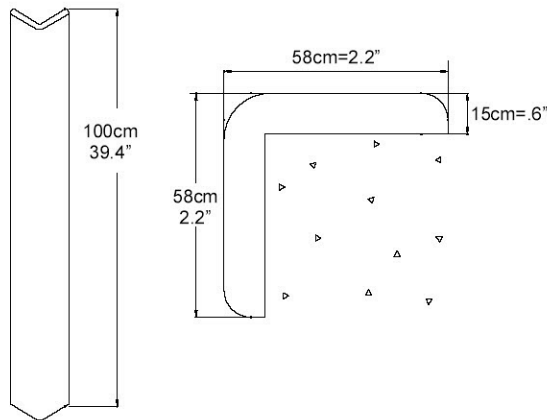


**MultiPurpose Safety Padding**  
**Industrial - Commercial - Transportation - Military - Recreational**

### Heavy Duty Corner Strips - Basic



39" x 2.5" x 2.5"  
1/2" Thick



Cross-View of Square Post  
with Corner Strips



#### Benefits

- ★ Shock Absorbing
- ★ Durable and long lasting
- ★ Easy installation
- ★ Quick repair or replacement
- ★ Waterproof
- ★ Fire retardant
- ★ Anti-Bacterial
- ★ UV treated
- ★ Non-toxic
- ★ 7 vibrant colors

